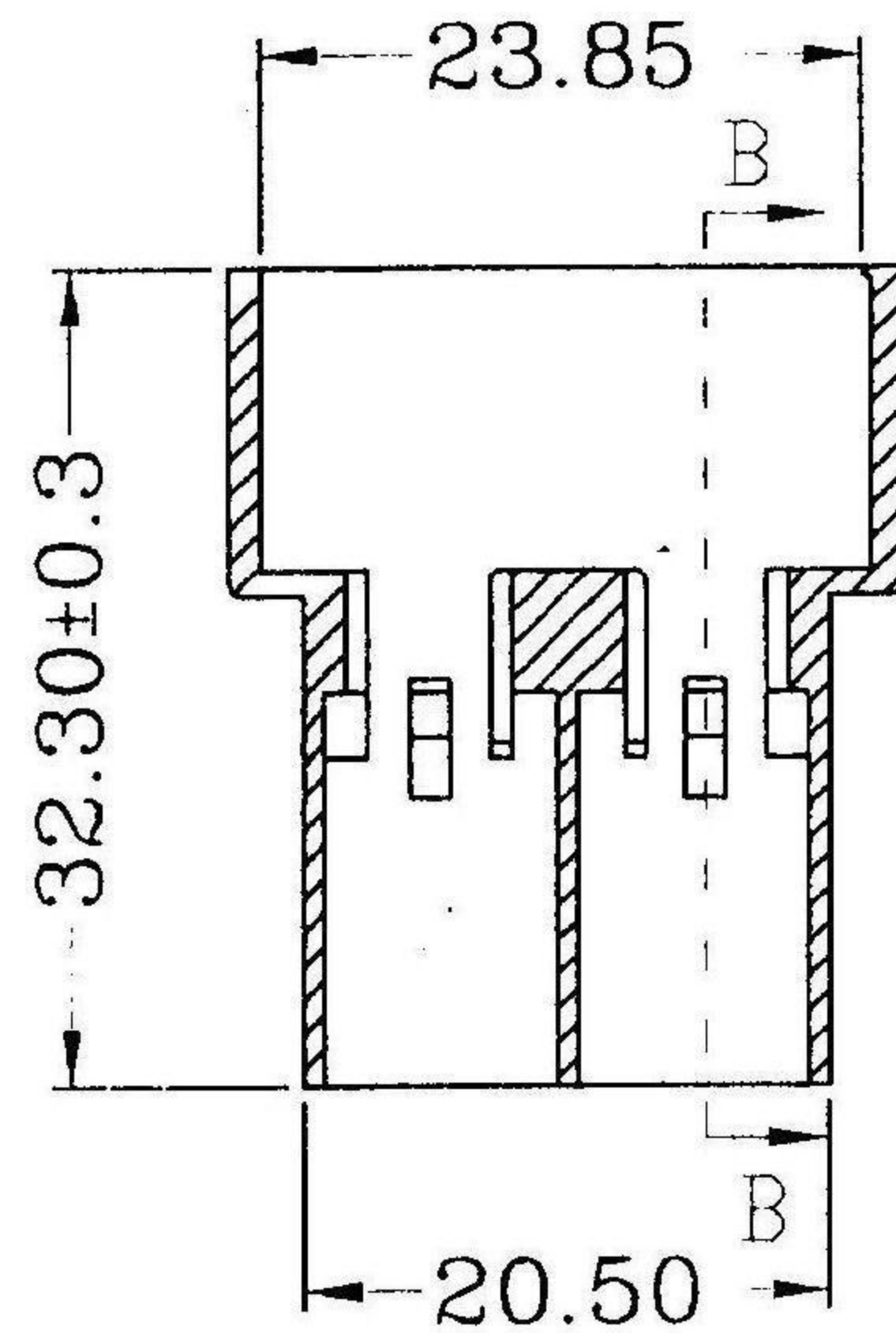
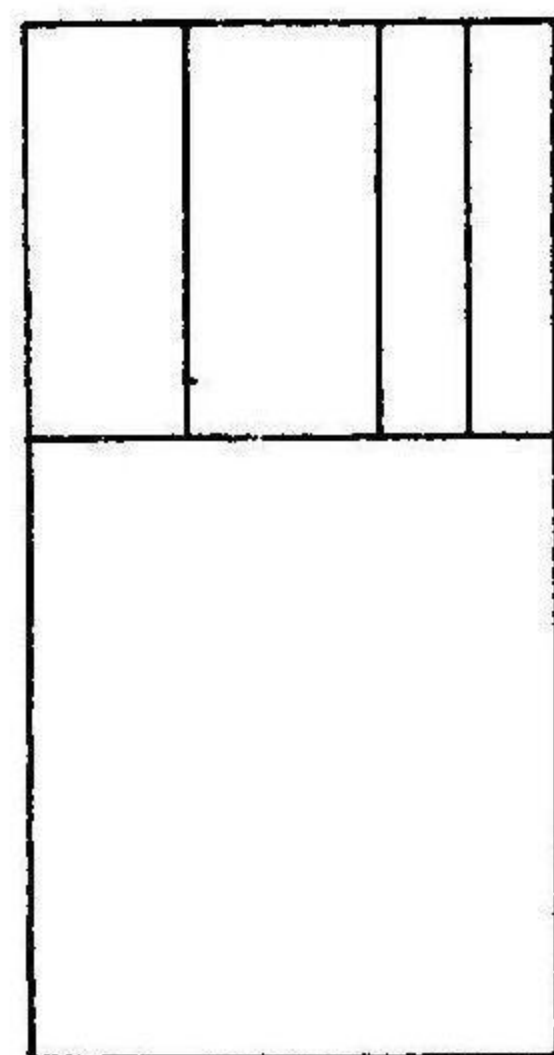
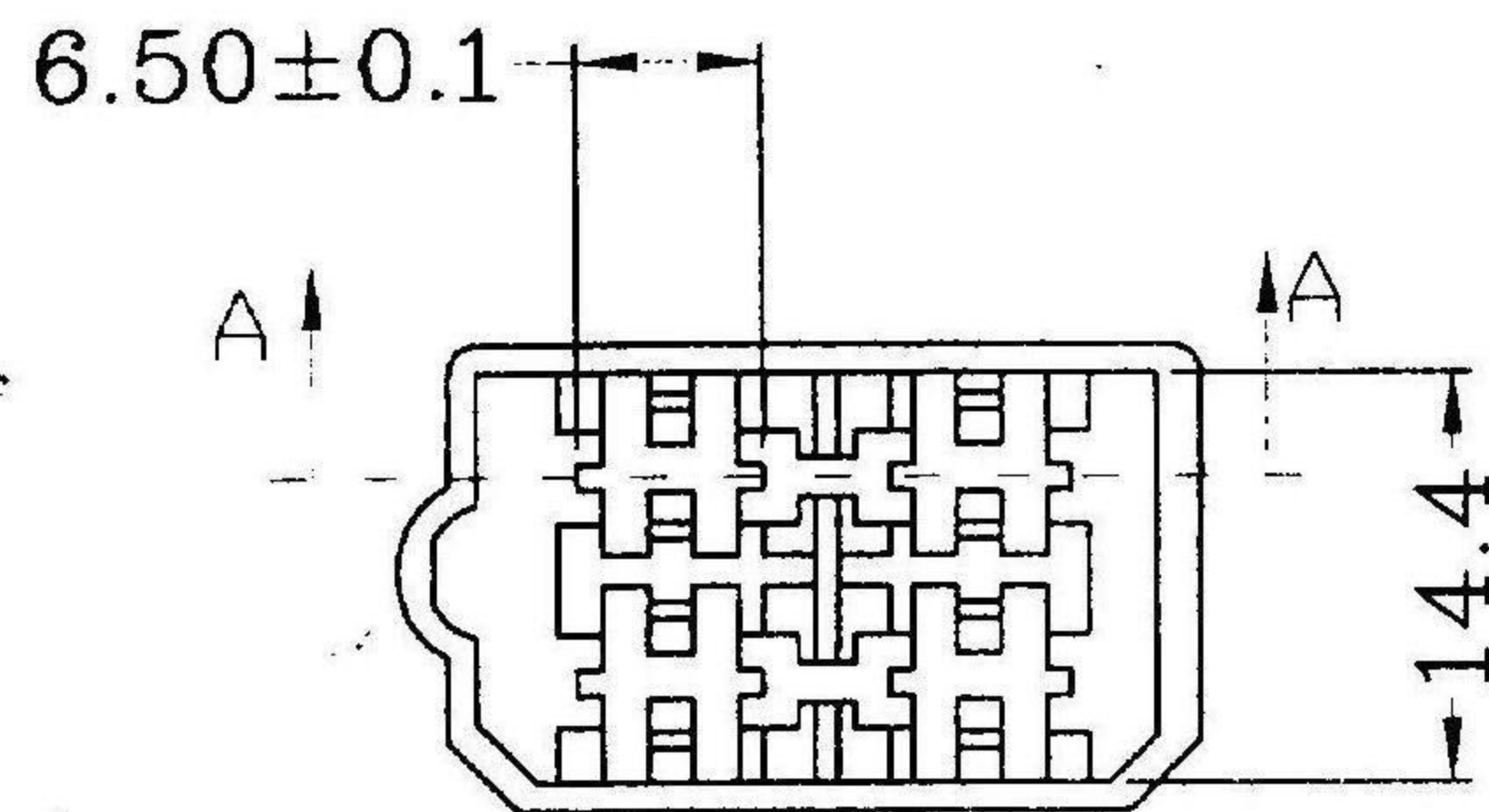
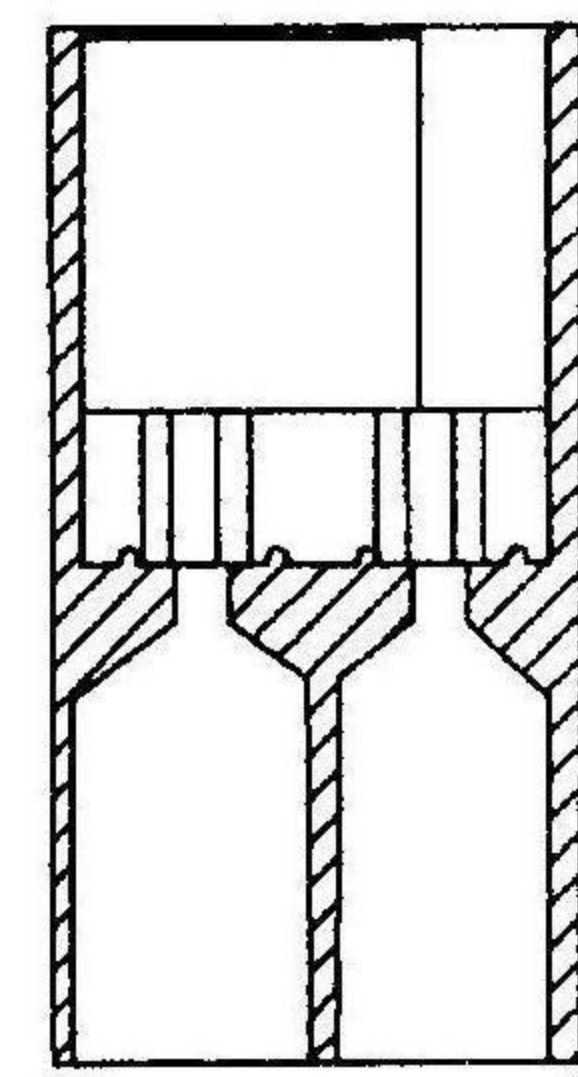


Version	Description of Change	Date	Drawn by



SECTION A-A



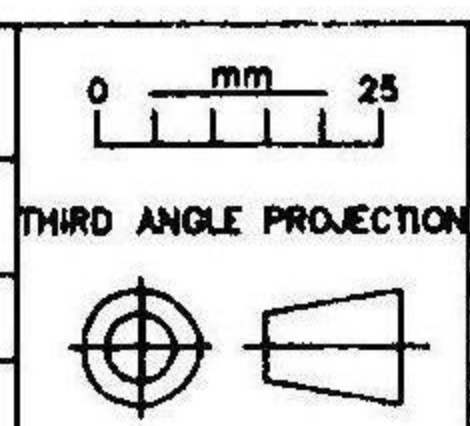
SECTION B-B

东莞市鸿儒连接器有限公司
2015-7-27
图面发行章

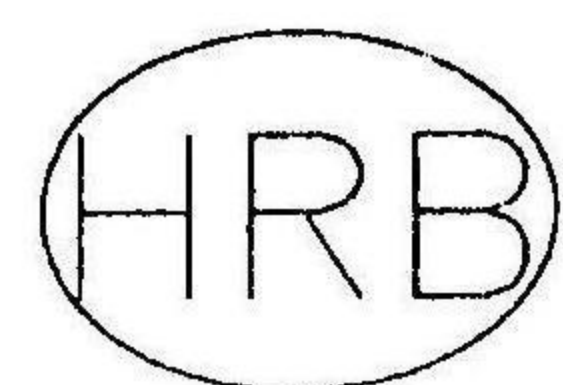
严禁影印

- SPECIFICATIONS:
- Operating Temperature: -40 °C ~ +120 °C
 - Material: Nylon66 UL94V-0
 - GWT: 750 °C IEC-60335-1
 - Part No.: P9411-4-W

Part name (零件名称)	Version (版本)	Date (日期)
P9411-4-W	A	2015.07.23
drawing number (图号)		
CRS158-01		



UNIT: mm
Tolerance:
.000 ±0.10
.00 ±0.20
.0 ±0.30



深圳市鸿儒连接器有限公司
HongRu Connectors co.,ltd

Drawn by (制图)	Confirmed by (审核)
范素娟	

2015-7-23