

# 4.2mm(.165")Wire To Wire And Wire To Board Connector



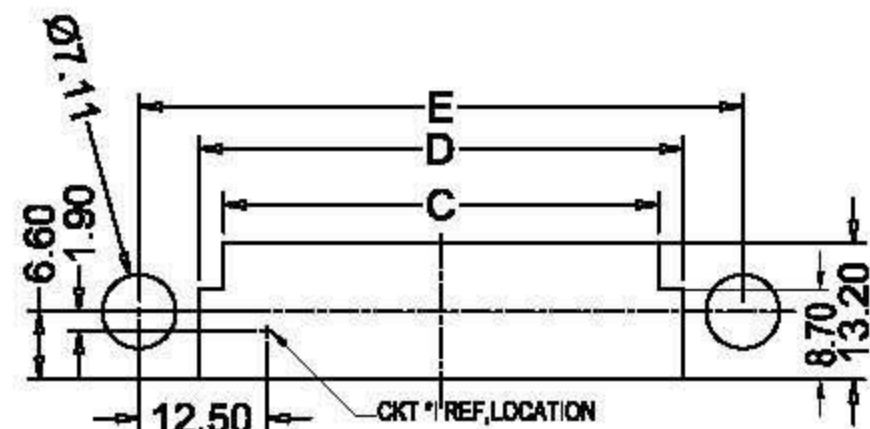
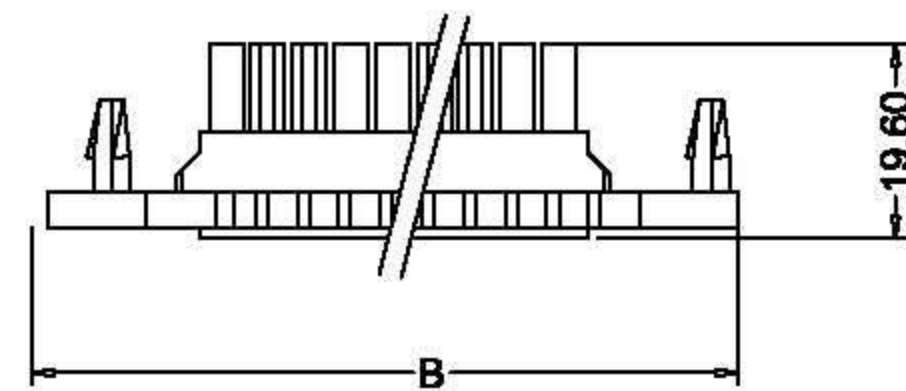
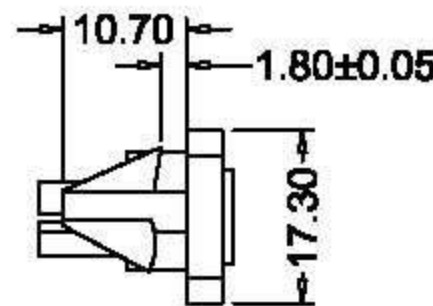
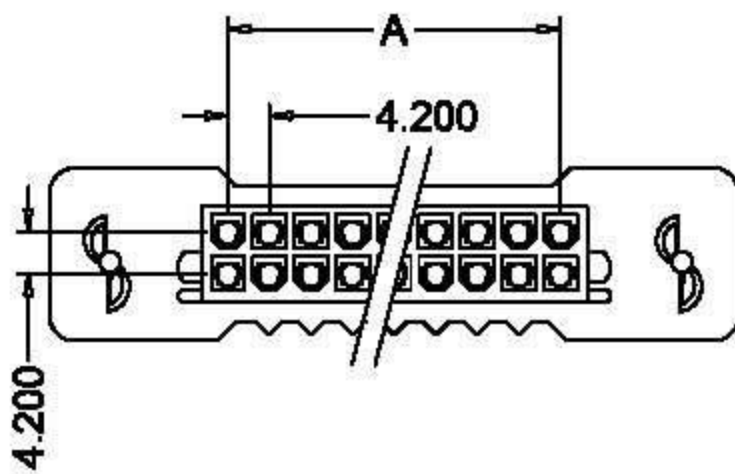
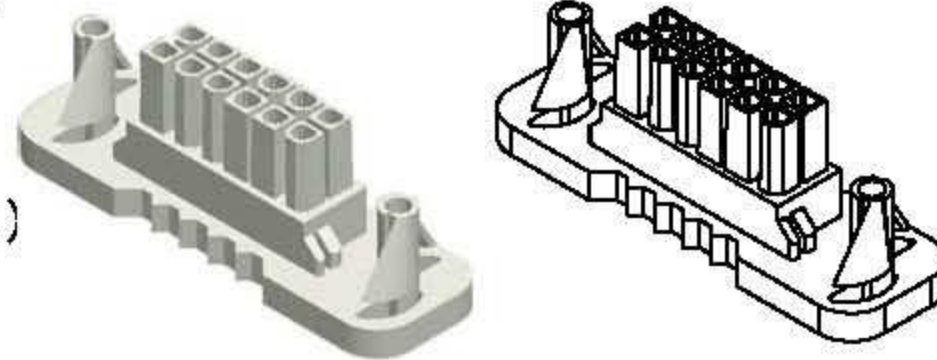
Connector & Terminal

Shenzhen Hongru Connector Co., Ltd

Email: yukyli@hrb-connector.com  
 Tel: 86-0755 2709 6669  
 Fax: 86-0755 2709 2392  
 Skype: haiyuncheng-vivian  
 Mobile(whatsapp): 86-186 8112 3590  
 Website: http://www.hrb-connector.com

## SPECIFICATIONS:

- Current Rating: 9A AC, DC
- Voltage Rating: 600V AC, DC
- Operating Temperature: V2: -25°C ~ +85°C  
 V0: -40°C ~ +130°C
- Contact Resistance: 10mΩ max.
- Insulation Resistance: 1000MΩ Min.
- Withstanding Voltage: 1500V AC/minute
- File No: E304945
- Material: Nylon UL94V-2/UL94V-0
- Terminal In Housing Retention Force Requirement: 6.5kg (Min.)



RECOMMENDED PANEL CUT-OUT FOR 1.27±0.30 THICK PANEL

## Ordering Information And Dimensions

Part NO.		Circuits	Dimensions					Part NO.		Circuits	Dimensions				
TYP UL94V-2	TYP UL94V-0		Dim:A	Dim:B	Dim:C	Dim:D	Dim:E	TYP UL94V-2	TYP UL94V-0		Dim:A	Dim:B	Dim:C	Dim:D	Dim:E
P42474-2x2-B	P42474-2x2-A	4	4.20	40.20	12.90	17.60	29.20	P42474-2x8-B	P42474-2x8-A	16	29.40	65.40	38.10	42.80	54.40
P42474-2x3-B	P42474-2x3-A	6	8.40	44.40	17.10	21.80	33.40	P42474-2x9-B	P42474-2x9-A	18	33.60	69.60	42.30	47.00	58.80
P42474-2x4-B	P42474-2x4-A	8	12.60	48.60	21.30	26.00	37.60	P42474-2x10-B	P42474-2x10-A	20	37.80	73.80	46.50	51.20	62.80
P42474-2x5-B	P42474-2x5-A	10	16.80	52.80	25.50	30.20	41.80	P42474-2x11-B	P42474-2x11-A	22	42.00	78.00	50.70	55.40	67.00
P42474-2x6-B	P42474-2x6-A	12	21.00	57.00	29.70	34.40	46.00	P42474-2x12-B	P42474-2x12-A	24	46.20	82.20	54.90	59.60	71.20
P42474-2x7-B	P42474-2x7-A	14	25.20	61.20	33.90	38.60	50.20								

