

3.00mm(.118") Wire To Wire And Wire To Board Connector



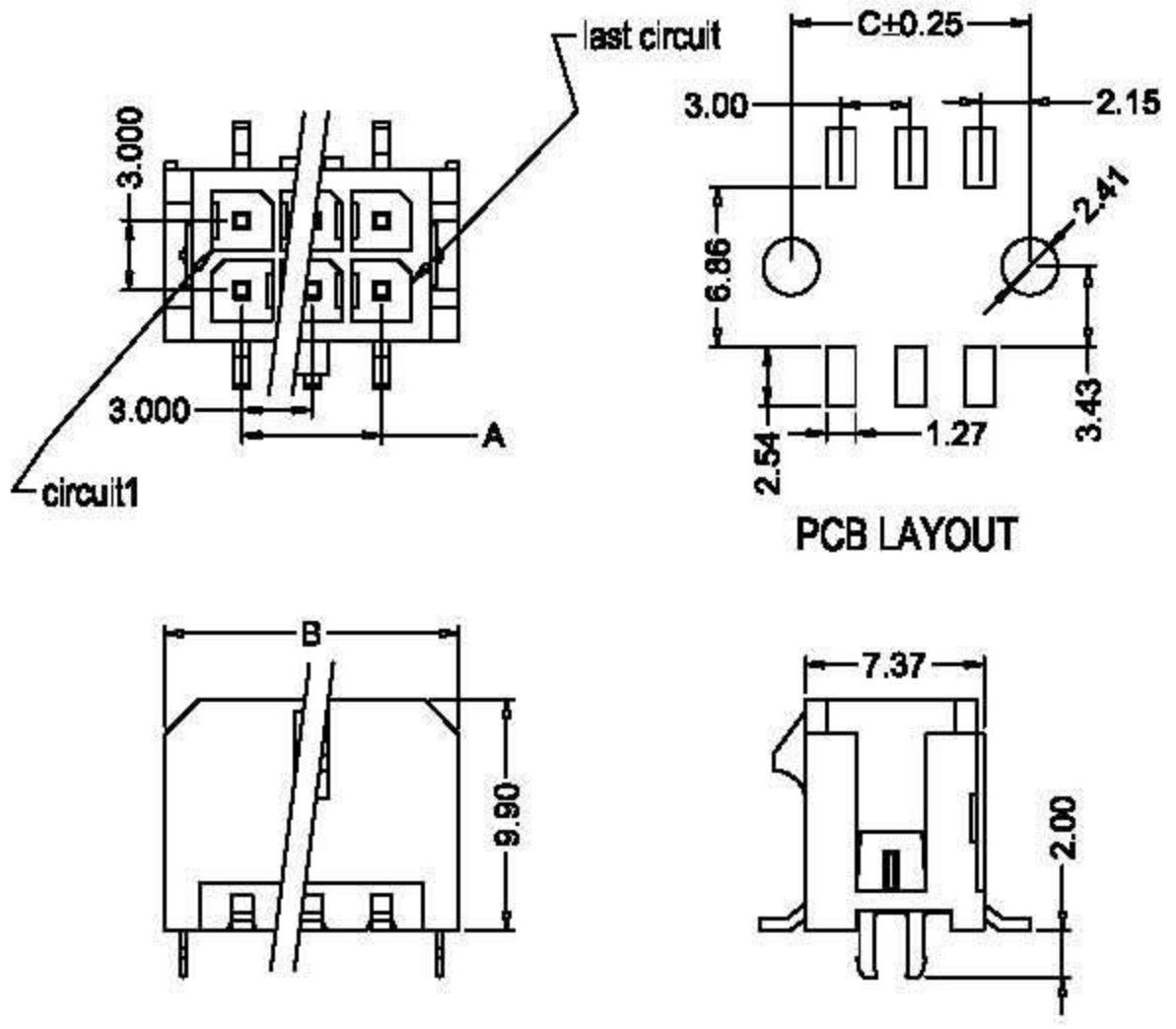
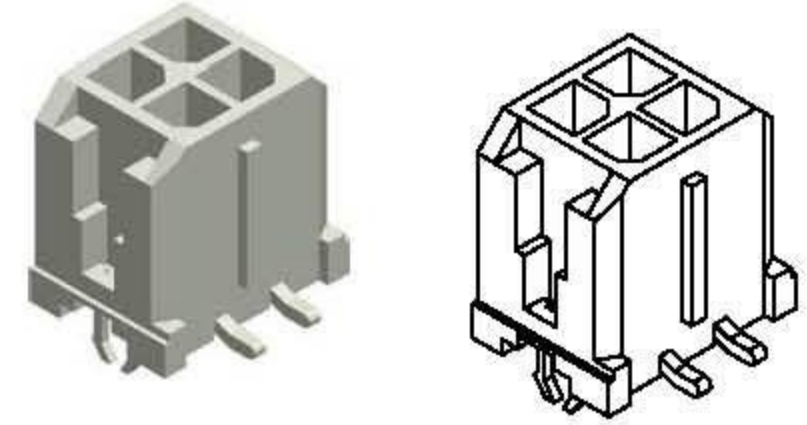
Connector & Terminal

Shenzhen Hongru Connector Co., Ltd

Email: yukyli@hrb-connector.com
 Tel: 86-0755 2709 6669
 Fax: 86-0755 2709 2392
 Skype: haiyuncheng-vivian
 Mobile(whatsapp): 86-186 8112 3590
 Website: http://www.hrb-connector.com

SPECIFICATIONS:

- Current Rating:5A AC,DC
- Voltage Rating:250V AC,DC
- Operating Temperature:-40℃~+130℃
- Contact Resistance:10mΩ max.
- Insulation Resistance:1000MΩ Min.
- Withstanding Voltage:1500V AC/minute
- Material:Housing:Nylon46 UL94V-0
Pin:Brass,Tin Plated
- Mate With:P3025Series
- Housing And Pin Retention Force Requirement: 2.0 kg (Min.)



Ordering Information And Dimensions

Part NO.		Dimensions			Part NO.		Dimensions		
TYP UL94V-0	Circuits	Dim:A	Dim:B	Dim:C	TYP UL94V-0	Circuits	Dim:A	Dim:B	Dim:C
M3045-SL-2x1-B	2		6.65	4.30	M3045-SL-2x7-B	14	18.00	24.65	22.30
M3045-SL-2x2-B	4	3.00	9.65	7.30	M3045-SL-2x8-B	16	21.00	27.65	25.30
M3045-SL-2x3-B	6	6.00	12.65	10.30	M3045-SL-2x9-B	18	24.00	30.65	28.30
M3045-SL-2x4-B	8	9.00	15.65	13.30	M3045-SL-2x10-B	20	27.00	33.65	31.30
M3045-SL-2x5-B	10	12.00	18.65	16.30	M3045-SL-2x11-B	22	30.00	36.65	34.30
M3045-SL-2x6-B	12	15.00	21.65	19.30	M3045-SL-2x12-B	24	33.00	39.65	37.30

