

4.2mm(.165")Wire To Wire And Wire To Board Connector



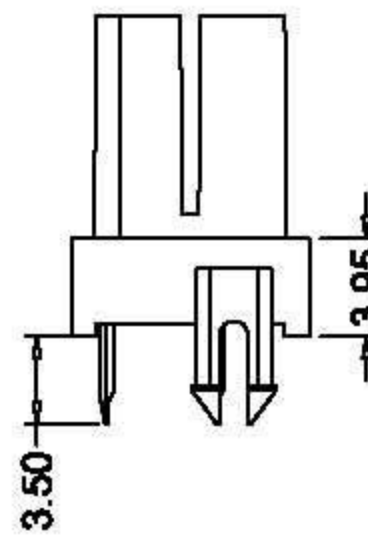
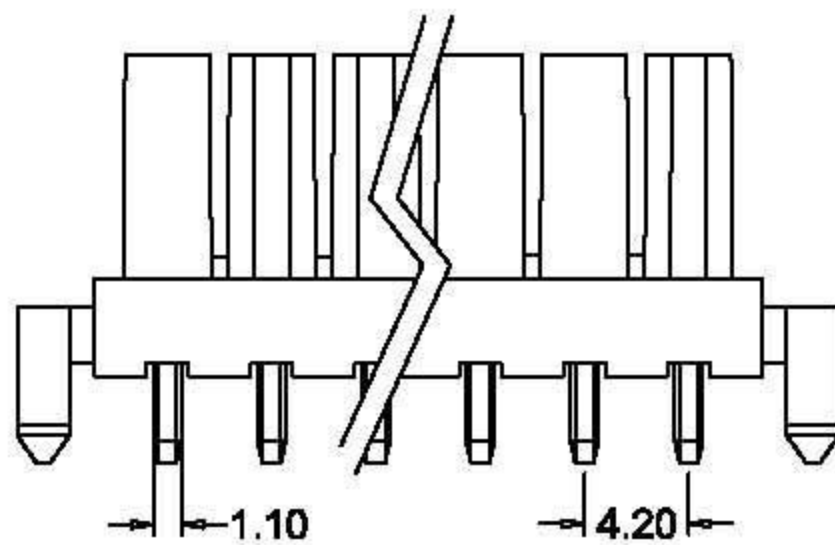
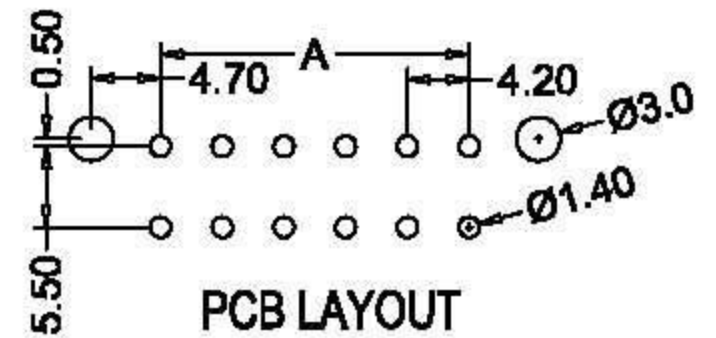
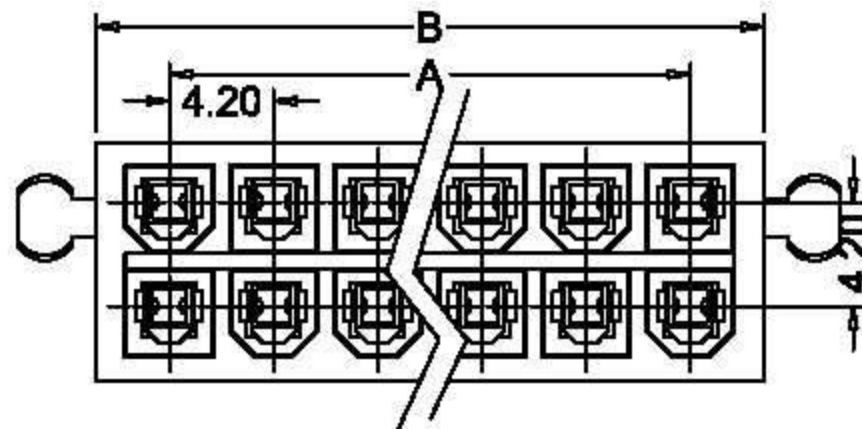
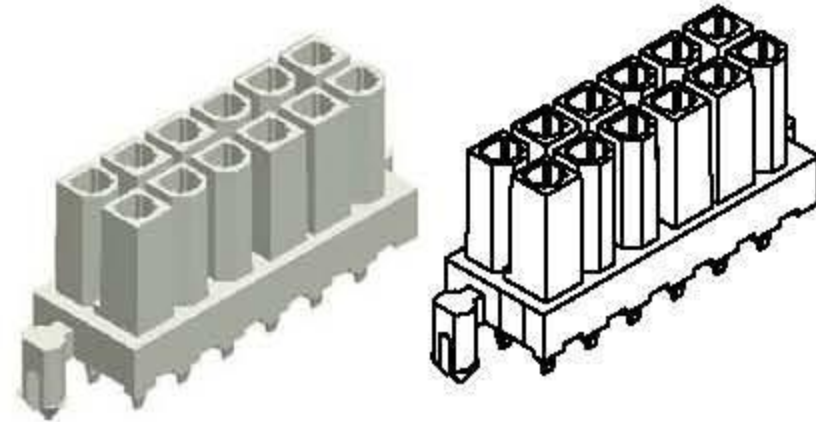
Connector & Terminal

Shenzhen Hongru Connector Co., Ltd

SPECIFICATIONS:

- Current Rating:9AAC,DC
- Voltage Rating:600V AC,DC
- Operating Temperature:-25℃~+105℃
- Contact Resistance:10mΩ max.
- Insulation Resistance:1000MΩ Min.
- Withstanding Voltage:1500V AC/minute
- Material:Housing:Nylon UL94V-0
Pin:Brass,Tin plated

Email:yukyli@hrb-connector.com
Tel: 86-0755 2709 6669
Fax: 86-0755 2709 2392
Skype: haiyuncheng-vivian
Mobile(whatsapp): 86-186 8112 3590
Website: <http://www.hrb-connector.com>



Ordering Information And Dimensions

Part NO.		Dimensions		Part NO.		Dimensions	
TYP UL94V-0	Circuits	Dim:A	Dim:B	TYP UL94V-0	Circuits	Dim:A	Dim:B
M42474-2X2	4	4.20	15.10	M42474-2X8	16	29.40	40.30
M42474-2X3	6	8.40	19.30	M42474-2X9	18	33.80	44.50
M42474-2X4	8	12.60	23.50	M42474-2X10	20	37.80	48.70
M42474-2X5	10	16.80	27.70	M42474-2X11	22	42.00	52.90
M42474-2X6	12	21.00	31.90	M42474-2X12	24	46.20	57.10
M42474-2X7	14	25.20	36.10				